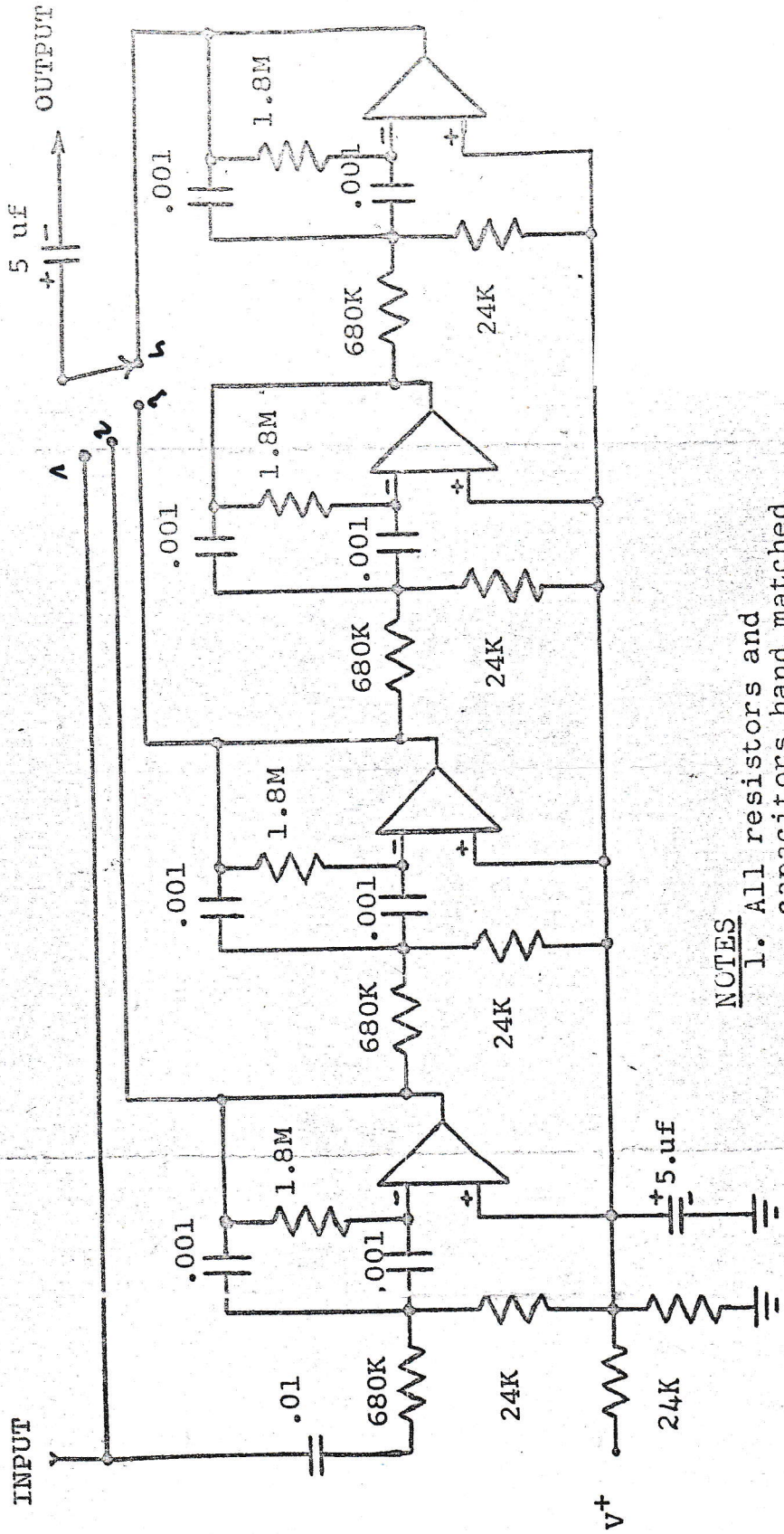


NEW HIGH PERFORMANCE

# CW Filter

MODEL CWF-2



NOTES

1. All resistors and capacitors hand matched for same center freq.
2. Op amps are 747's.

MFJ ENTERPRISES

P. O. Box 494, Mississippi State, MS 39762